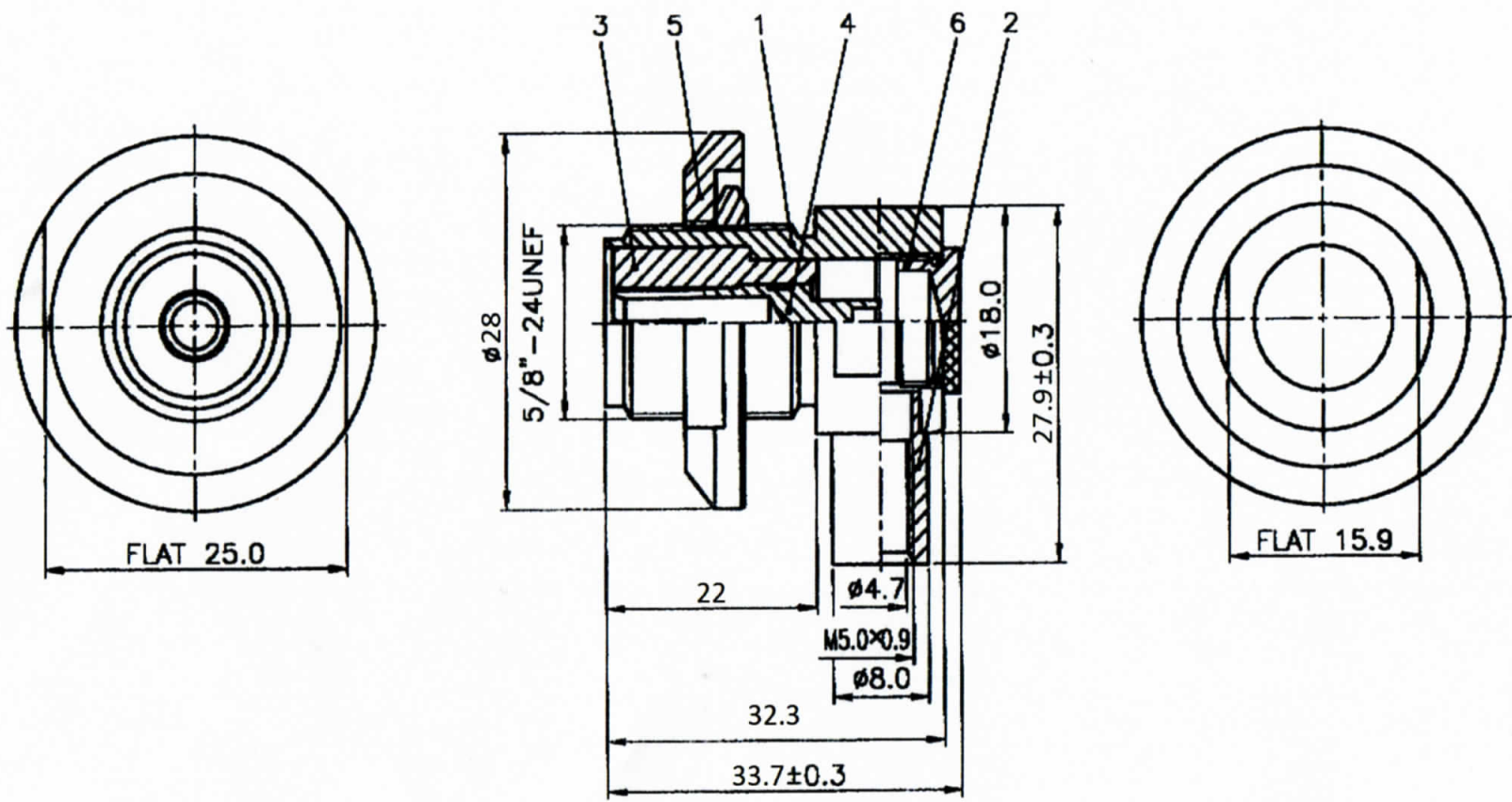


0.5-5 = +/- 0.2  
 5-30 = +/- 0.4  
 30-120 = +/- 0.6  
 120-315 = +/- 1  
 315-1000 = +/- 1.6  
 1000-2000 = +/- 2.4



RoHS COMPLIANT

6	SPIGOT	1	BRASS	NICKEL
5	NUT	1	BRASS	NICKEL
4	PIN	1	BRASS	NICKEL
3	INSULATOR	1	DELTRIN	WHITE
2	BODY	1	BRASS	NICKEL
1	BODY	1	BRASS	NICKEL

APPROVED BY:

*(Signature)*

Date: DEC 10 2018

**UNITED AU-VI CO., LTD.**

Description: UHF FEMALE TWIST ON RIGHT ANGLE RG58/U

Part No.: V-7513LA

File No.: C-7537-DGN

**ULTIMAX**®  
 THE ULTIMATE ELECTRONIC COMPONENTS

NO	DESCRIPTION	Q'TY	MATERIAL	FINISH	Date:
----	-------------	------	----------	--------	-------