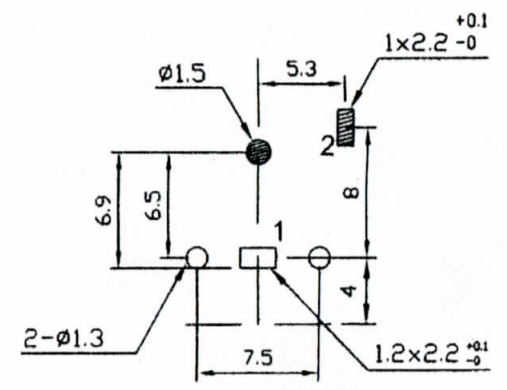
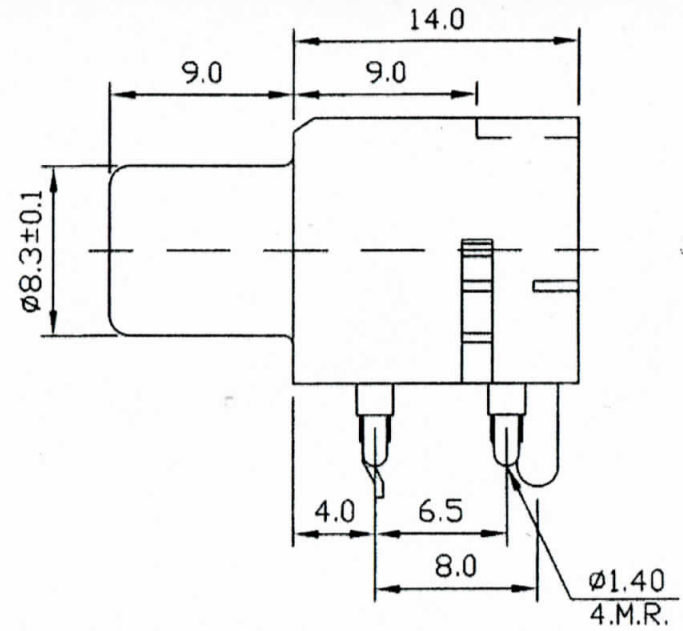
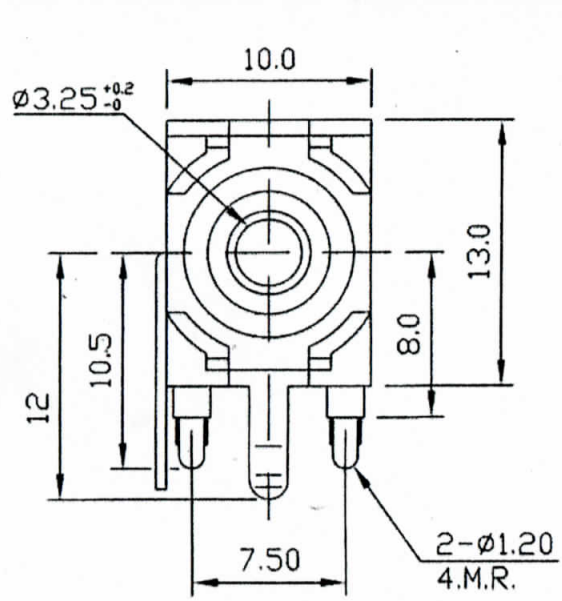
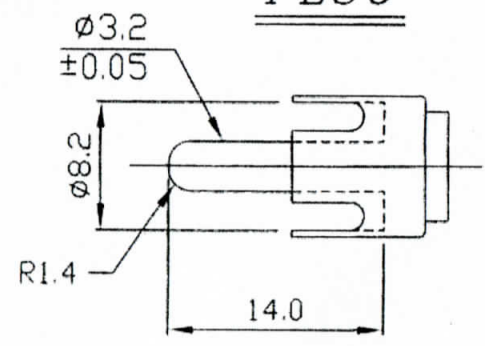


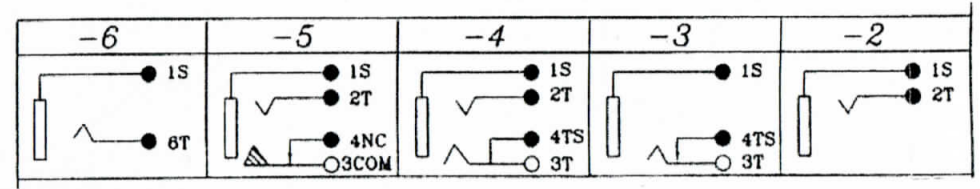
0.5-5 = +/- 0.2
 5-30 = +/- 0.4
 30-120 = +/- 0.6
 120-315 = +/- 1
 315-1000 = +/- 1.6
 1000-2000 = +/- 2.4



PLUG



P.C.B LAYOUT(±0.1)
(BOTTOM VIEW)



RoHS COMPLIANT

APPROVED BY



UNITED AU-VI CO., LTD.

Description:

RCA JACK FOR P.C.B

Part No.:

RJ-2410N/W



Date: FEB 15 2016

File No.: LP-0843-2

| NO | DESCRIPTION | Q'TY | MATERIAL | FINISH |
|----|-------------|------|----------|--------|
| 3 | HOUSING | 1 | PBT-94V0 | |
| 2 | CONTACT | 1 | BRASS | SN/CU |
| 1 | SLEEVE | 1 | BRASS | NICKEL |