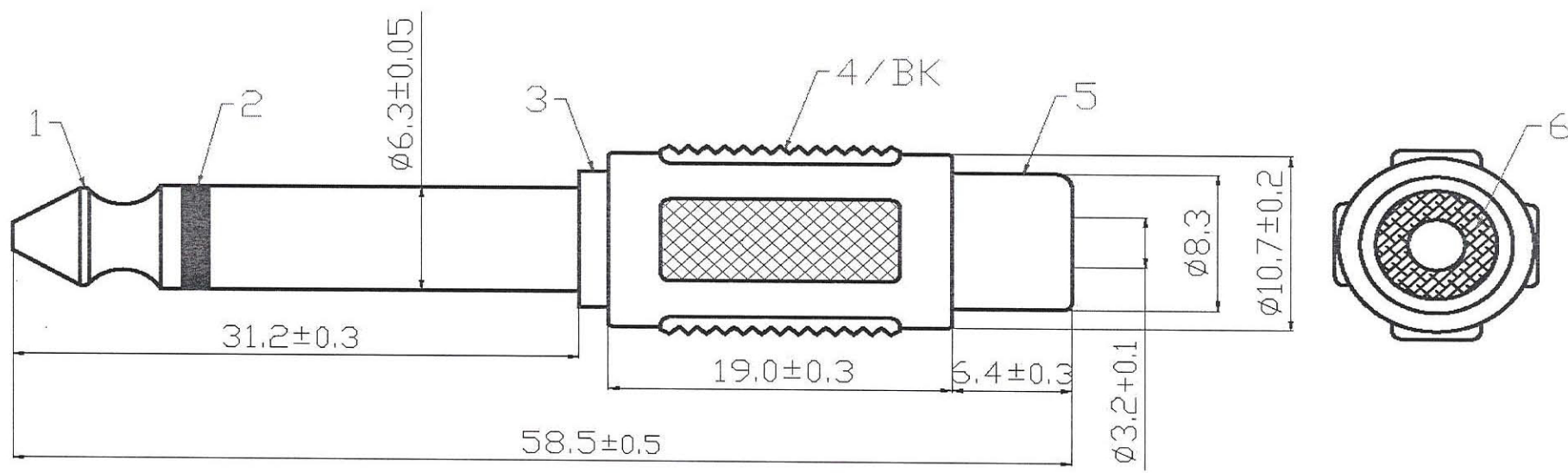


0.5-5 = +/- 0.2  
 5-30 = +/- 0.4  
 30-120 = +/- 0.6  
 120-315 = +/- 1  
 315-1000 = +/- 1.6  
 1000-2000 = +/- 2.4



RoHS COMPLIANT

6	DIELECTRIC	1	POM	
5	RCA FEMALE PART	1	BRASS	
4	PLASTIC HANDLE	1	PVC	
3	COPPER HEAD	1	BRASS	
2	DIELECTRIC	1	POM	
1	FRONT POINT	1	ZN	
NO	DESCRIPTION	Q'TY	MATERIAL	FINISH

APPROVED BY :  
  
 Date: NOV 19 2019

**UNITED AU-VI CO., LTD.**

Description: 6.35 MONO PLUG TO RCA JACK

Part No.: AU-3161G/RB

**ULTIMAX**®  
THE ULTIMATE ELECTRONIC COMPONENTS

File No.: JR-1316