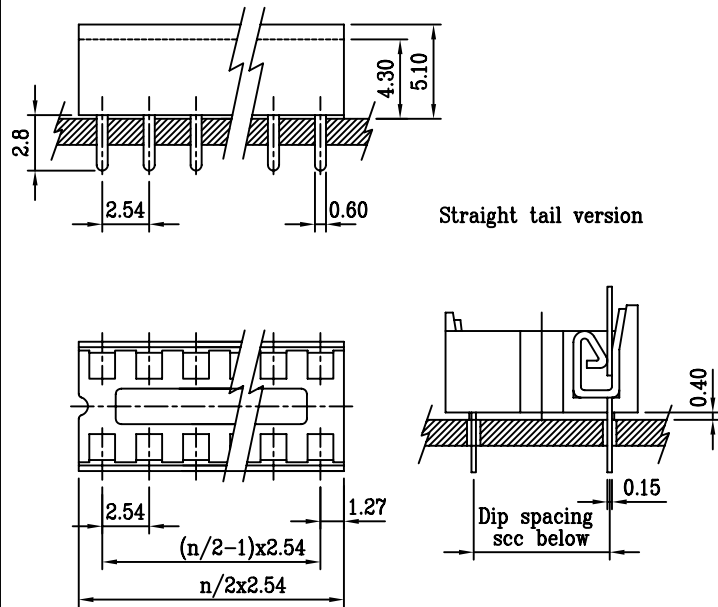


199

IC-Sockets-Economy Type 2.54mm pitch

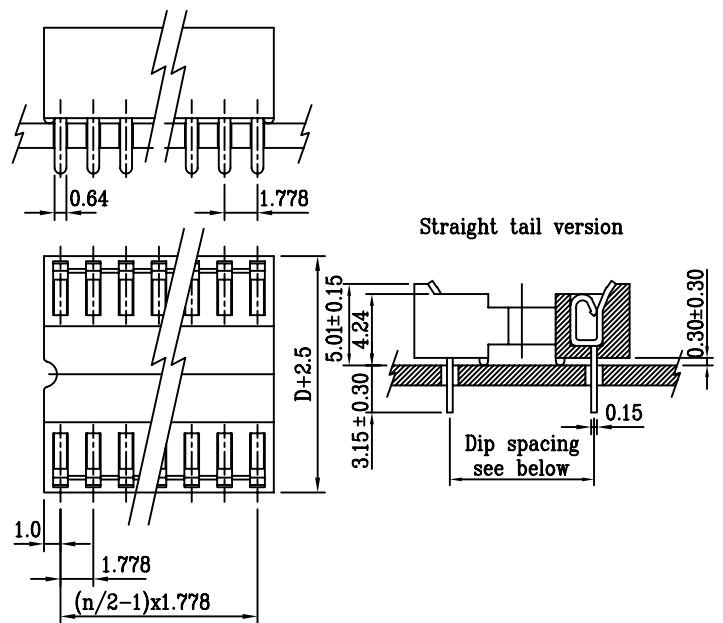
Technical data :
 Insulator body
 Glass filled thermoplastic polyester,
 self-extinguishing, rated UL94-V0.
 Current Rating : 1 Amp
 Insulator resistance : 1000 Megohms min.
 Contacts resistance : 20 m ohms max.
 Dielectric withstanding : AC 500 V
 Contact :
 Phosphor bronze.
 Tin plated.



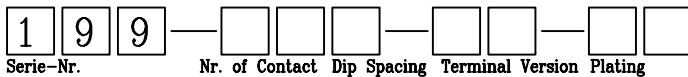
203

Shrink-DIP-IC-Sockets-Economy Type 1.778mm pitch

Technical data :
 Insulator body
 Glass filled thermoplastic polyester,
 self-extinguishing, rated UL94-V0.
 Current Rating : 1 Amp
 Insulator resistance : 1000 Megohms min.
 Contacts resistance : 20 m ohms max.
 Dielectric withstanding : AC 500 V
 Contact :
 Phosphor bronze.
 Tin plated.



How to order Serie 199



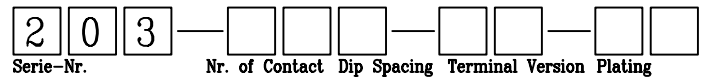
Number of contact
06. 08. 14. 16. 18. 20. 22. 24. 28. 32.
22. 24.
24. 28. 32. 40. 48.
64.

Dip spacing	Code
7.62mm 300 Mil	3
10.16mm 400 Mil	4
15.24mm 600 Mil	6
22.86mm 900 Mil	9

Terminal version	Code
Straight tail version	10

Plating option	Code
Tin plated	50

How to order Serie 203



Number of contact
16. 20. 22. 24
24. 28. 30. 32
40. 42. 48. 52. 54. 56
64

Dip spacing	Code
7.62mm 300 Mil	3
10.16mm 400 Mil	4
15.24mm 600 Mil	6
19.05mm 750 Mil	7

Terminal version	Code
Straight tail version	10

Plating option	Code
Tin plated	50