

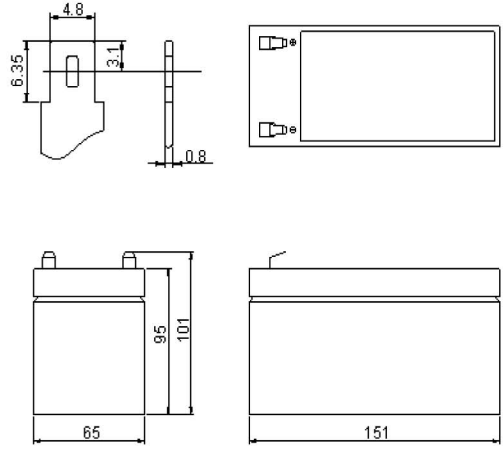


## ● Specifications

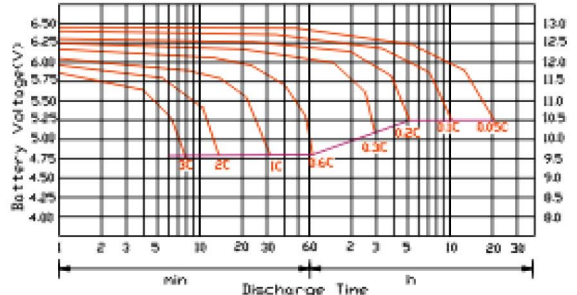
<b>Nominal Voltage</b>		<b>12V</b>
<b>Rated Capacity</b>		<b>7.2Ah</b>
<b>Dimensions</b>	<b>Total Height</b>	<b>100mm</b>
	<b>Height</b>	<b>94mm</b>
	<b>Length</b>	<b>151mm</b>
	<b>Width</b>	<b>65mm</b>
<b>Approximate Weight</b>		<b>1.86kg</b>

## ● Characteristic

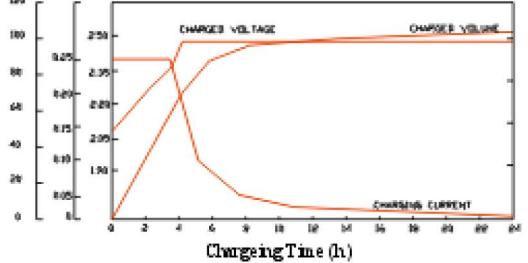
<b>Capacity 77°F(25°C)</b>	<b>20h rate (0.35A)</b>	<b>6.0Ah</b>
	<b>10h rate (0.52A)</b>	<b>5.4Ah</b>
	<b>5h rate (0.96A)</b>	<b>5.1 Ah</b>
	<b>1h rate (3.6A)</b>	<b>3.6Ah</b>
	<b>15 min rate (12A)</b>	<b>2.7Ah</b>
<b>Internal Resistance</b>	<b>Full Charged Battery 77°F(25°C)</b>	<b>40mΩ</b>
<b>Capacity Affected by Temperature (20h rate)</b>	<b>104°F(40°C)</b>	<b>102%</b>
	<b>77°F(25°C)</b>	<b>100%</b>
	<b>32°F(0°C)</b>	<b>85%</b>
	<b>5°F(-15°C)</b>	<b>65%</b>
<b>Self-Discharge 68°F(20°C) (Capacity after)</b>	<b>3 month storage</b>	<b>90%</b>
	<b>6 month storage</b>	<b>80%</b>
	<b>12 month storage</b>	<b>60%</b>
<b>Max. Discharge Current 77°F(25°C)</b>	<b>90A(5s)</b>	
<b>Terminal</b>	<b>T1, T2</b>	
<b>Charge (Constant Voltage, 25°C)</b>	<b>Cycle</b>	<b>14.5~14.9V(-24mV/°C) max. current: 1.8A</b>
	<b>Float</b>	<b>13.6~13.8V(-18mV/°C)</b>



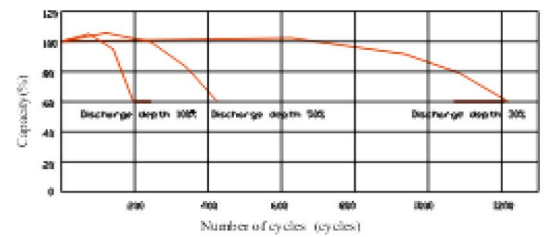
DISCHARGE CHARACTERISTICS AT 25°C(77°F)



Charge characteristic curve  
Constant voltage charge characteristic (0.25C A, 25°C)



Cycle service life in relation to depth of discharge (25°C)



### Constant Current Diacharg Characteristics (A, 25°C)

F.V/TIME	5min	10min	15min	30min	60min	3h	5h	10h	20h
9.60V	25.5	16.0	12.5	6.8	3.9	1.47	0.97	0.52	1.30
10.2V	24.2	15.2	12.0	6.5	3.7	1.46	0.96	0.52	0.30
10.5V	22.8	14.3	11.4	6.2	3.6	1.42	0.94	0.51	0.30

### Constant Current Diacharg Characteristics (Watt, 25°C)

F.V/TIME	5min	10min	15min	30min	60min	3h	5h	10h	20h
9.60V	285	180	143	77.9	45.2	17.5	11.6	6.24	3.60
10.2V	270	171	137	74.8	43.4	17.2	11.5	6.24	3.60
10.5V	254	161	130	71.1	41.2	16.9	11.2	6.12	3.36