

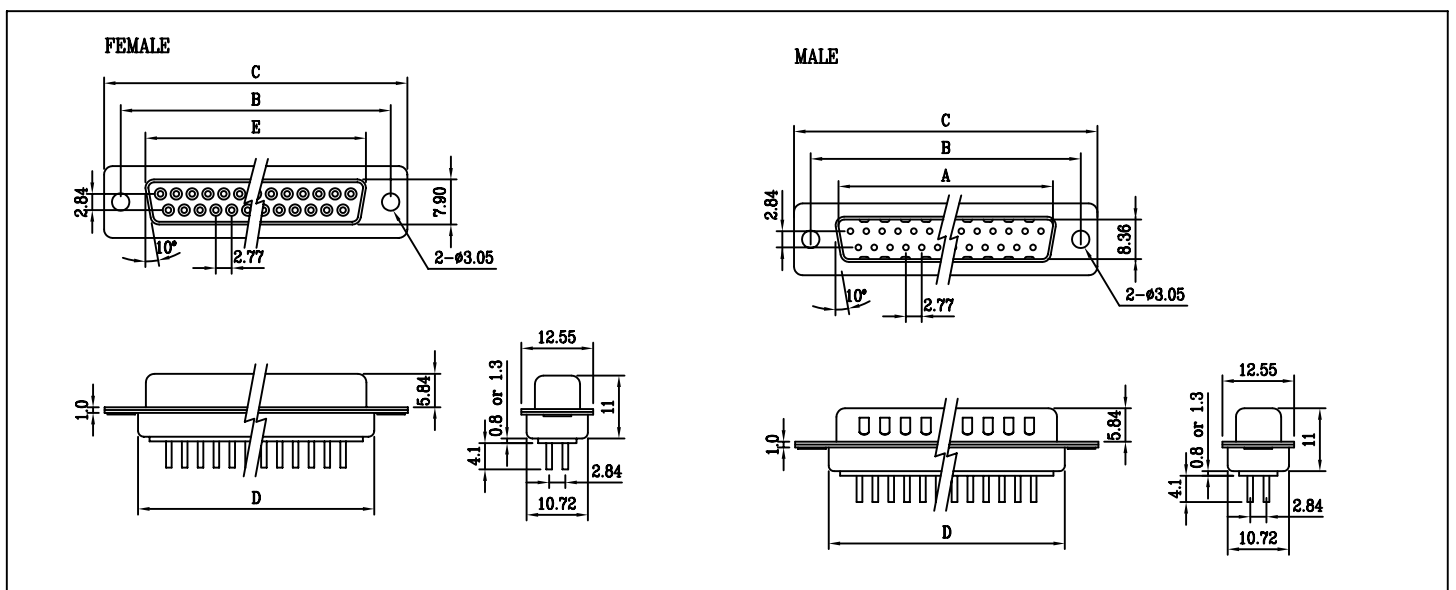
101/106

D-Sub connector DIP solder straight machined contact 180°

Technical data :

Material and finish :

Shell: steel tin coat over nickel
 Insulator: Thermoplastic polyester
 self-extinguishing rated 94V-0
 Contact: Cooper alloy
 Contact surface: gold plated over nickel
 Operating Temperature: -55°C to +105°C
 Electrical data :
 Current rating : 5A
 Contact resistance: 30mohm Max. at DC 100mA
 Insulator resistance: 1000mohm Min. at DC 500V
 Voltage: AC 1000V for 1 minute



How to order **1 0 1** - - - - - - -

Serie-Nr. No. of contact Terminal type shell Mounting method Bolt option Plating Insulator color Class

Nr. of contact	Dimensions(mm)				
	A	B	C	D	E
09	16.92	24.99	30.81	19.28	16.33
15	25.25	33.32	39.14	27.51	24.66
25	38.96	47.04	53.04	41.30	38.38
37	55.42	63.50	69.32	57.71	54.84
50	52.86	61.11	66.90	55.30	52.34

Terminal type	Code	Terminal type	Code
Plug	1	Tin plated	1
Socket	2	Yellow chromate	2

Insulator color	Code
White	1
Black	2
Gray	3
Blue	4

If you like to rivet M3 thread instead of UNC 4-40, please add "M" after last code for example B01M, B02M etc.

Mounting method	Code
Standard through hole Ø3.05mm	B00
Riveted with UNC 4-40 thread insert 4.0mm Top shell	B01
Riveted with UNC 4-40 thread insert 4.0mm Bottom shell	B02
Riveted with UNC 4-40 thread insert 5.8mm Top shell	B03
Riveted with UNC 4-40 thread insert 5.8mm Bottom shell	B04
Riveted with UNC 4-40 thread Board lock 6.0mm	B05
Riveted with UNC 4-40 thread Board lock 7.3mm	B06
Riveted with UNC 4-40 thread insert 2.5mm on Top shell	B10
Riveted with UNC 4-40 thread insert 2.5mm on Bottom shell	B11
Riveted with UNC 4-40 thread insert 3.8mm on Top shell	B12
Riveted with UNC 4-40 thread insert 3.8mm on Bottom shell	B13

Plating option	Code
Full gold flash plated	10
Selective gold flash plated	60
05u"Selective gold flash plated	05
15u"Selective gold flash plated	15
30u"Selective gold flash plated	30
Selective gold plated for stamping contact only	

101	Dip solder With screw machining contact /Quality class 1.2 or 3
106	Dip solder With stamped contact /only for Quality class 3

Hexagonal bolt option	Code
Loose HEX screws 4.8x11.8	10
Fixed HEX screws 4.8x11.8	20
Loose HEX screws 5.8x12.0	30
Fixed HEX screws 5.8x12.0	40
NON - Accessories	50