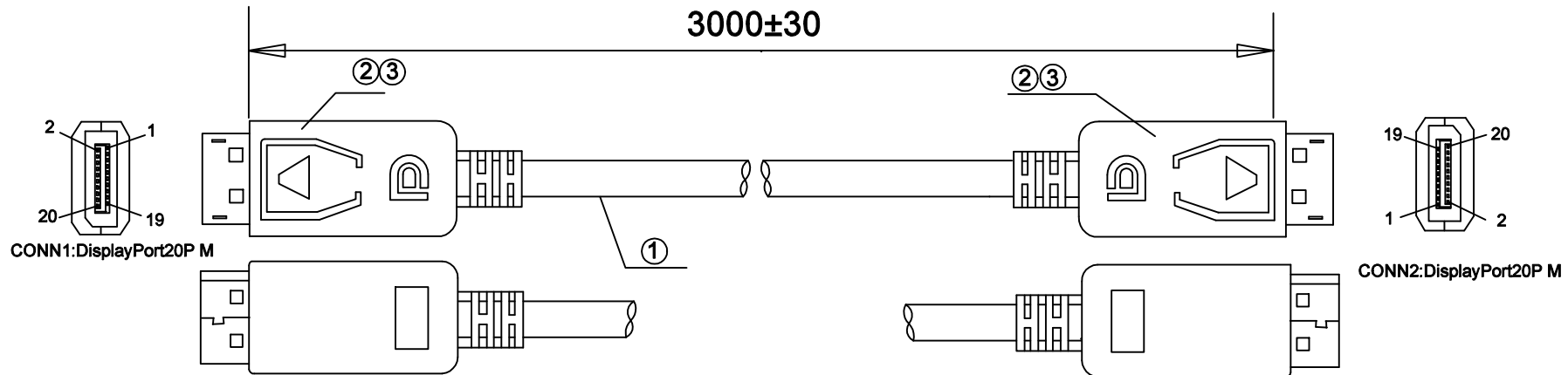


DisplayPort20P M/DisplayPort20P M

NO.	Drawing	DATE	Version	CONTANT
1		2011-09-25	A	ORIGINAL DRAWING



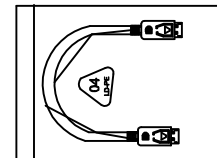
PIN ASSIGNMENT:

CONN1	CONN2				
1	12	WHITE	3	WHITE	
3	10	RED	1	BROWN	
2	11	GND	2	GND	
4	9	WHITE	15	15	WHITE
6	7	GREEN	17	17	BLACK
5	8	GND	16	16	GND
7	6	WHITE	13	13	WHITE
9	4	BLUE	14	14	RED
8	5	GND	18	18	YELLOW
			19	19	ORANGE
			G	G	GROUND WIRE

Electronics Test Condition:

- A.Voltage:DC 300V
 - B.Insulation Resistance: $\geq 20M \Omega$
 - C.Rdson: $\leq 2 \Omega$
- This Test is only suitable for CONN2,
the finished cable is used for HD test

PACKING



CUSTOMER	TOP Electronic Components S.A.	DATE	2023.5.30	UNIT	MM	Proportion	1:1	Version	A	PAGE	1/1	
Material NO.	04.001.0471	NAME	DisplayPort CABLE 1.2V				Order No.					
Drawing	GERRY GU	CHECKING	HAN YH	CHECKED	HAN YH	Approved						

NO.	PART NO.	DISCRIPTION	Q'TY	UNIT
①	Cable	[(30AWG CCS+ Skin-foam-Skin PPE)*2+D(30AWG)+AL+MY]*5+(30AWG CCS +HDPE)*4+D(30AWG CU)+AL+Braiding Shield Black Print OD:6.0mm PVC	1	PC
②	PLUG	Display port 20PIN Male plug black insulation weld assemble with chip, pin is 24K gold plated	2	SET
③	Innermold	Transparent PE	2.5	g
④	Outermold	45P Black PVC	4.5	g
⑥	PE Bag	PE Bag/PC	1	PC