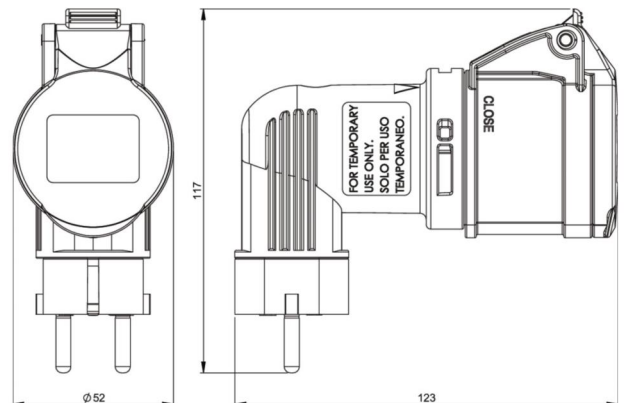


PCE data sheet

article#	9434100
article description	Test adapter safety plug angled to CEE 16A 3p 6h IP44
description long	Measuring adapter plug 16A 2p+E 250V (dual earthing system) / CEE-socket 16A 3p 230V IP20, nickel-plated contacts (Entry: 1 plug 16A 2p+E 250V (dual earthing system), Outlet: 1 CEE-socket 16A 3p 230V) For electrician and temporary use only! Location of phase and neutral wire is not determined
GTIN (EAN)	9003399050206
country of origin	AT
customs number	85366990
net weight	0.184 kg
packaging quantity	10
minimum order quantity	10

ETIM 8.0	EC000379
CEE socket outlet 16 A	1x16A3p230V
Material housing	Plastic
Contact material	CuZn
Surface treatment contacts	Nickel-plated
Power supply/connection possibility	Built-up plug
Number of poles mains connection	3
Type of mains connection	Protective contact (SCHUKO)
Handling	Portable
Degree of protection (IP)	IP20
Colour	Grey



<https://www.pcelectric.at/shop/en/?func=detail&artnr=9434100>



www.manufacturer-safety.info