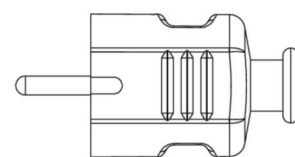
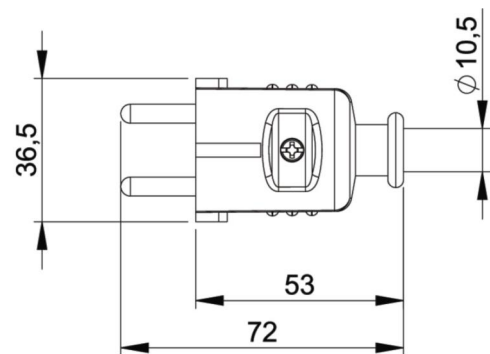


PCE data sheet

article#	08266
article description	safety plug PP 2SL central white IP20
description long	safety plug PP 2SL central white IP20 housing material: polypropylen (PP) cable entry: central housing color: white earthing system: dual earthing system (Austrian/German and Belgian/French) 250V 16A 2P+E protection rating: IP20
GTIN (EAN)	9003399632877
country of origin	DE
customs number	85366990
net weight	0.030 kg
packaging quantity	50
minimum order quantity	50

ETIM 8.0	EC000242
Model	Protective contact (SCHUKO)
Material	Plastic
Material quality	Thermoplastic
For heavy conditions according to VDE	False
Degree of protection (IP)	IP20
Angle of plug	Straight
Connection system	Screwed terminal
Colour	White
Number of poles	3
Nominal voltage	250 V
Nominal current	16 A
Protective earth pin round	True

K (cable Ø)	10,4 mm
wire flexible	0,75-2,5 mm ²
contact screws	40 Ncm
strain relief	50 Ncm
dismantling length	40-45 mm
stripping length	7 mm



<https://www.pcelectric.at/shop/en/?func=detail&artnr=08266>



www.manufacturer-safety.info