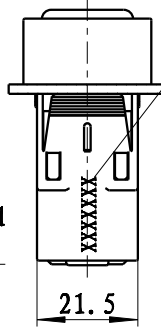
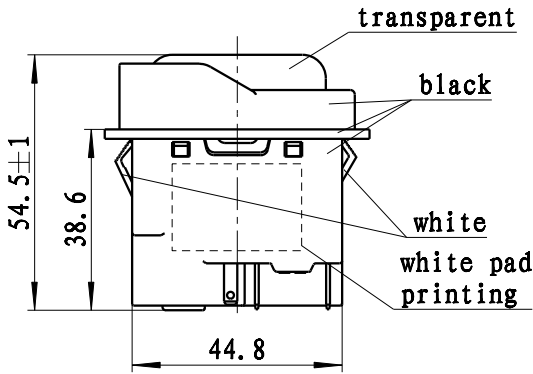
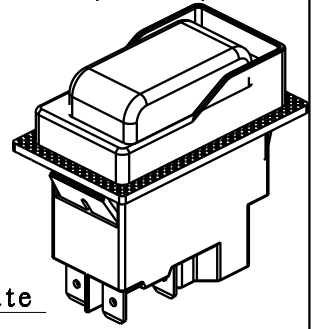
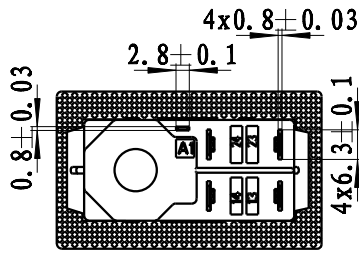


0116020142

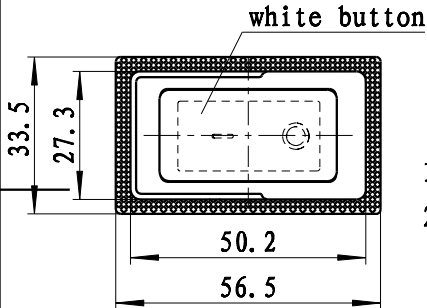
Rejigger Index

REV.	Mark	Qty	Verified	Content	Description	Verified /Date	Rejigger /Date

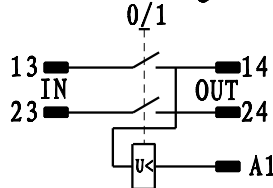


Manufacturing Date


XXXXXX
 Week
 Year
 Workshop
 e.g. 01B2035





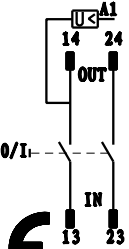
circuit diagram



pad printing (2:1)



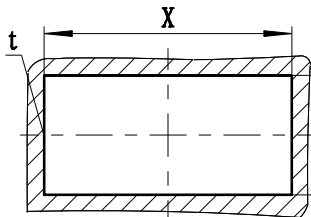
KJD16 IP55
 18A (AC-1) / 15A (AC-3)
 Ue=250V ~ 5E4
 Uc=220-240V ~
 Pat 97324050.4
 Pat 96211305.0
 16 (12) A 250V ~ 5E4
 DIN EN61058
 10 (8) A 250V ~ 5E4
 2HP 220-240V ~
 16A 220-240V ~

Certification and Rating

EN 60947-1 EN 60947-4-1	EN 61058-1	DIN EN 61058-1	UL508
18A (AC-1) / 15A (AC-3) Ue=250V ~ 5E4 Uc=220-240V ~	16 (12) A 250V ~ 5E4	10 (8) A 250V ~ 5E4	2HP 220-240V ~ 16A 220-240V ~

Mounting size



X	t
46 ^{+0.1} ₀	1 ~ 1.5
46.4 ^{+0.1} ₀	1.5 ~ 2.5

Technical Requirement

1. Type: KJD16
2. Uc=220-240V ~;
3. IP Code: IP55(after installation);
4. Number of Operating Cycles: 5E4;
5. Certification and Rating: see table;
6. Directive/Regulation: RoHS.

Tolerance Not Marked

Basic Dimension	>0 ~ 6	>6 ~ 30	>30 ~ 120	>120 ~ 300
Tolerance	± 0.1	± 0.3	± 0.5	± 1

ASSEMBLE OUTLINE

KEDU ELECTRIC

011602010

Electromagnetic Switch

Common use register

Drawing

Collation

Old Bottom Drawing No.

Bottom Drawing No.

Signature

Designed by	贾杨彬	20201202	Standardization	王思琦	20201202
Collated by	廖军	20201202	Examined by	陈东	20201202
Checked by	倪杰	20201202	Drawn by	贾杨彬	20201202
Technics			Approved by	李子平	20201202

Phase Mark

REV.

Scale

S

A

1: 1.5

Current Page

Total Page

0116020142