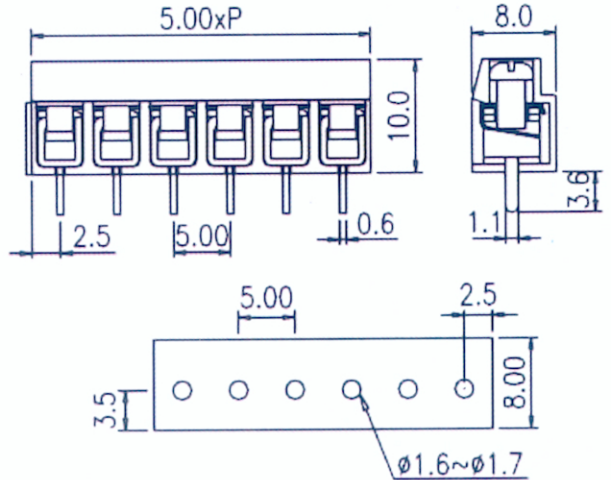
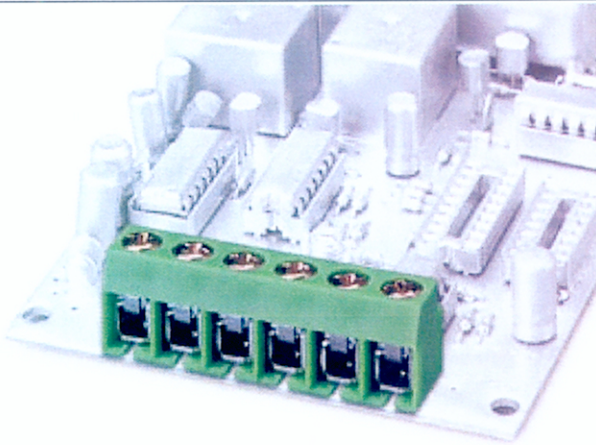




DT-126VP



Pitch: 5.00mm

Approval



Technical Data

UL

IEC

Rated voltage

300V

250A

Rated current

8A

17.5A

Wire range

1.5mm²

Solid wire (AWG)

26~14

Stranded wire (AWG/mm²)

26~14

Rated surge voltage (UL/IEC/Max.)

1.6 / 2 / 3 KV

Torque (Lb-in)

4.4

Screw

M2.5

Wire strip length

6~7mm

Pole

Cat. No.

02

DT-126VP-02P

03

DT-126VP-03P