

YITUO P/N:
XXX-XXX-XX-X-XXX

Serial Number:001 002 003...
Contact Plating:A=G/FU
B=3U C=6U D=15U F=30U
Contact PIN:08=8P
122=USB3.0 A TYPE FEMALE DIP 90°
124=USB3.0 A TYPE FEMALE
Double Deck DIP 90°
103=USB

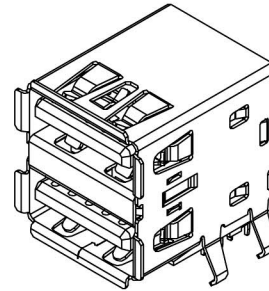
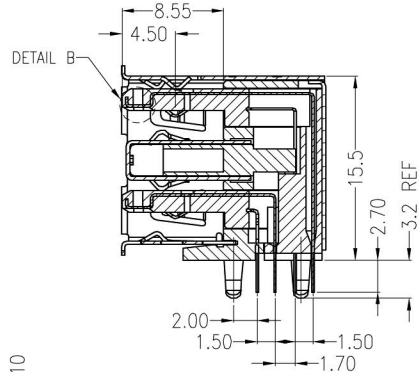
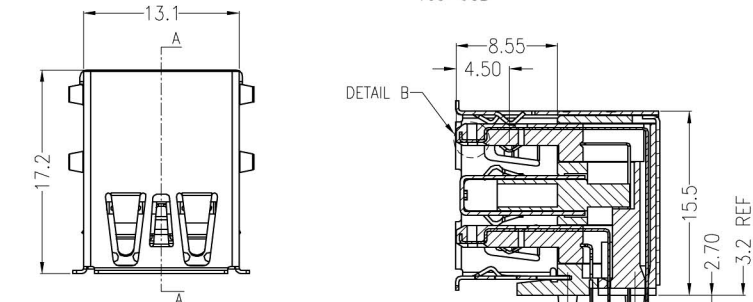
YIFEI P/N:
USB-A2D131F/108F-XX8X-W

W=HF
Shell plate spec:
T=Tin plated, N=Nickel plated
Housing colour:
B=Black, L=Blue, W=White
Contact plate spec:
0=FU*, 1=3U*,2=6U*,
3=15U*,4=30U*

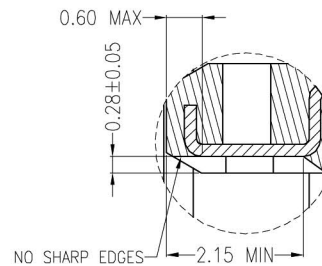
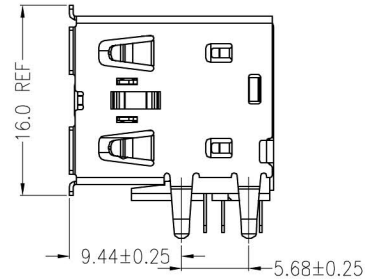
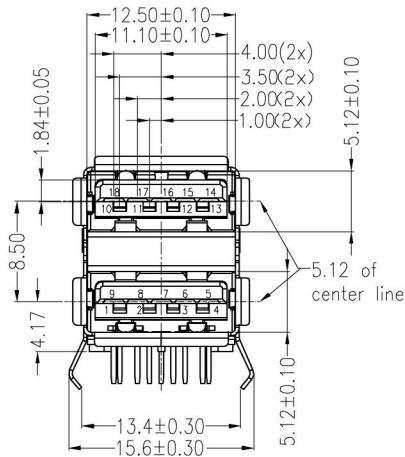
REV	DESCRIPTION	DATE	ECN NO.	CHANGER
A-4	Update drawing	15.05.21		zw-Lin
A-5	Add P/N	15.06.02		zw-Lin
A-6	Add P/N	15.06.17		zw-Lin

Specification:

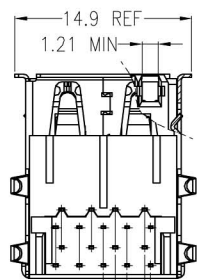
- Current Rating: 1.8AMP for Pin1 and Pin4, 0.25AMP for Other contacts .
- Voltage Rating: 30V.
- Insulation Resistance:100M Ω Min.
- Contact Resistance:
30m Ω Max for Pin1 & Pin4 and Pin10 & Pin13;
50m Ω Max for Other contacts.
- Dielectric Withstanding Voltage:100V AC (RMS)



3D VIEW
SCALE 1:1



DETAIL B
SCALE 5:1



1.00(2x)
2.00(2x)
3.50(2x)
4.00(2x)

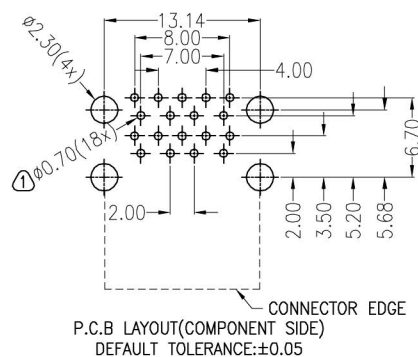


Table 1:

10312418A010	PBT 蓝色无卤 FU 外壳铜料 (镀镍)			
10312218F001	PBT 蓝色无卤 足30U 外壳镀亮锡			
10312418A009	上层PBT 白色无卤 下层PBT 蓝色无卤 1U Min 外壳镀镍			
10312418A007	主体PBT 蓝色无卤 后塞PBT 黑色无卤 FU 外壳镀镍			
BUSB-A2D108F-0L18N-W	PBT 蓝色无卤 FU 外壳铁料 (镀镍)			
BUSB-A2D108F-3L18N-W	PBT 蓝色无卤 15U 外壳铁料 (镀镍)			
BUSB-A2D108F-4L18N-W	PBT 蓝色无卤 30U 外壳铁料 (镀镍)			
BUSB-A2D113F-3L18N-W	PBT 蓝色无卤 15U 外壳铜料 (镀镍)			
BUSB-A2D113F-3B18N-W	PBT 黑色无卤 15U 外壳铜料 (镀镍)			
BUSB-A2D113F-4L18N-W	PBT 蓝色无卤 30U 外壳铜料 (镀镍)			
P/N		Specification		
11	5p short terminal	C2680	5P	T=0.2mm
10	5p long terminal	C2680	5P	T=0.2mm
9	4p short terminal	C5191	4P	T=0.2mm
8	4p long terminal	C5191	4P	T=0.2mm
7	Middle cover	SUS 304	1Pcs	T=0.3mm
6	Cover	SPCC	1Pcs	T=0.3mm
5	Shell	SPCC/C2680	1Pcs	T=0.3mm
4	Stopper	PBT 无卤	1Pcs	Blue/Black
3	Insert mold short conector	PBT 无卤	1Pcs	Blue/Black
2	Insert mold long conector	PBT 无卤	1Pcs	Blue/Black/White
1	Housing	PBT 无卤	1Pcs	Blue/Black
N.O	PART NAME	MATERIAL	QTY	REMARK

X. ±0.38	X.* ±4°	UNIT:	mm	DR:		TITLE:	USB 3.0 A 母双层 DIP 90°		
.X ±0.25	.X* ±2°	3DR:		DE:			SHEET:	1/1	P/N:
.XX ±0.20	.XX*	SCALE:	1:1	CHKD:		D/N:	1110-0108	M/N:	
.XXX ±0.10	.XXX*	CUSTOMER DRAWING	REV:	A-6	APPD:				