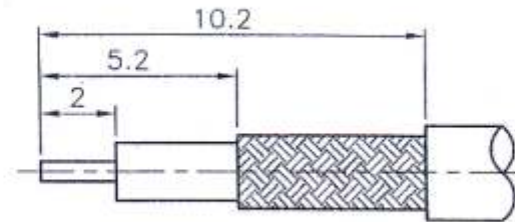
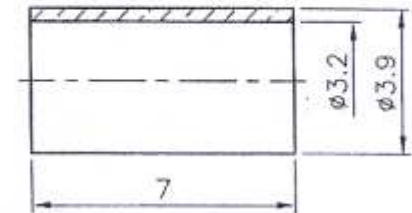
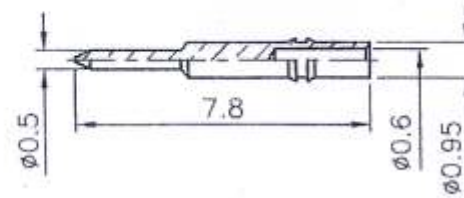
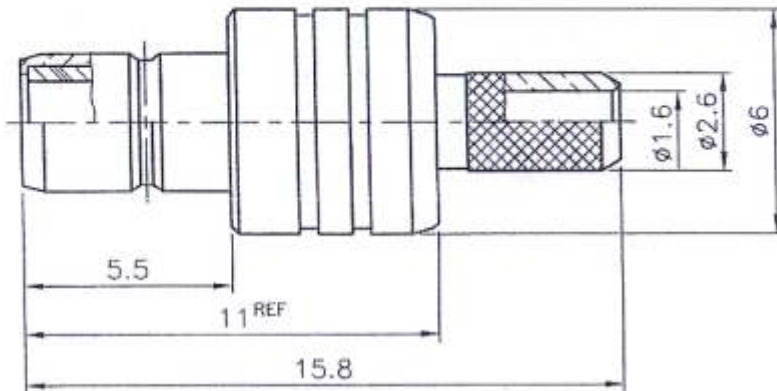


DIMENSIONS ARE IN MILLIMETERS

0.55 = +0.2
 5.30 = +0.4
 30-120 = +0.6
 120-315 = +1
 315-1000 = +1.6
 1000-2000 = +2.4



RECOMMENDED
 CABLE STRIPPING DIM'S
 (建議剝線尺寸)



NOTES: FINISH (PLATING THICKNESS IN MICRO-INCHES)

1. BRASS PER QQ-B-626
2. GOLD PL 5 MIN OVER NICKEL PL 70 MIN THICK OVER COPPER STRIKE
3. GOLD PL 30 MIN OVER NICKEL PL 70 MIN THICK OVER COPPER STRIKE
4. TEFLON MIL-P-19468
5. BRASS JIS H 3250, C 2700

1. CRIMPED FERRULE
 HEX CRIMP SIZE .128" (3.25mm)
 (套管壓著工具)
2. CONTACT PIN TO SOLDER
 (中心針鐸接)

RoHS COMPLIANT

UNITED AU-VI CO., LTD.

Description: SMB FEMALE CRIMP RIGHT ANGLE (FOR 174/U, 188A/U, 316/U)

Part No.: V-9122DG

ULTIMAX[®]
 THE ULTIMATE ELECTRONIC COMPONENTS

APPROVED BY :



Date: MAR 03 2009

File No.: 9161NS509BD003B

6	FERRULE	NOTE 5	NOTE 2	1
5	PIN	NOTE 1	NOTE 3	1
4	BRAID HOLDER	NOTE 1	NOTE 2	1
3	INSULATOR	NOTE 4	WHITE	1
2	INSULATOR	NOTE 4	WHITE	1
1	BODY	NOTE 1	NOTE 2	1

NO.	DESCRIPTION	MATERIAL	FINISH	Q'TY
-----	-------------	----------	--------	------