

DIMENSIONS ARE IN MILLIMETERS

0.5-4 +0.2

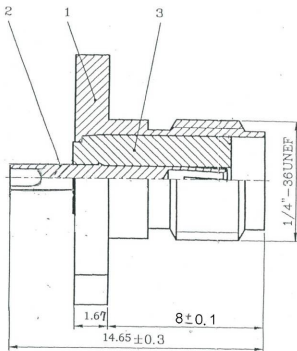
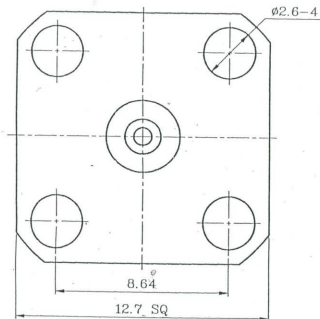
5-30 +0.4

30-120 +0.8

120-315 +1

315-1000 +1.6

1000-2000 +2.4



APPROVED BY :



UNITED AU-VI CO., LTD.

Description:

SMA FEMALE CHASSIS MOUNT

Part No.:

V-7814

**ULTIMAX**<sup>®</sup>  
 THE ULTIMATE ELECTRONIC COMPONENTS

3	INSULATOR	TEFLON	WHITE	1
2	PIN	BRASS	GOLD	1
1	BODY	BRASS	NICKEL	1
NO.	DESCRIPTION	MATERIAL	FINISH	Q'TY

Date: MAY 2 2011

File No. CF