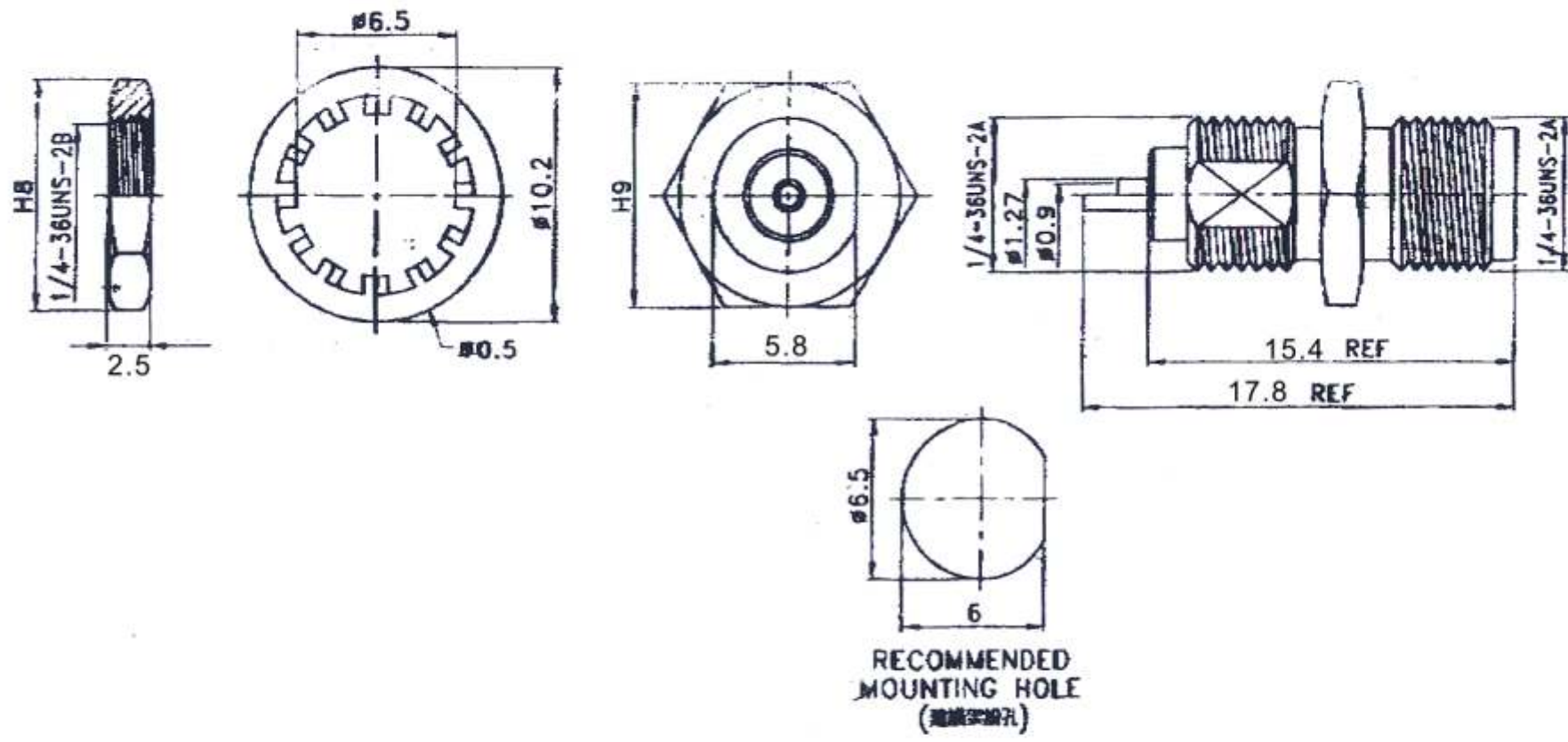


DIMENSIONS ARE IN MILLIMETERS

0.5-5 = +/- 0.2
 5-30 = +/- 0.4
 30-120 = +/- 0.6
 120-315 = +/- 1
 315-1000 = +/- 1.6
 1000-2000 = +/- 2.4



RoHS COMPLIANT

6	NUT	1	BRASS	NICKEL
5	WASHER	1	BRASS	NICKEL
4	DIELECTRIC	1	TEFLON	NONE
3	DIELECTRIC	1	TEFLON	NONE
2	PIN	1	PHOS BRONZE	GOLD
1	BODY	1	BRASS	NICKEL

APPROVED BY :



Date: JUN. 07 2007

UNITED AU-VI CO., LTD.

Description: SMA FEMALE BULKHEAD

Part No.: V-7813



NO.	DESCRIPTION	Q'TY	MATERIAL	FINISH
-----	-------------	------	----------	--------

File No.: CF