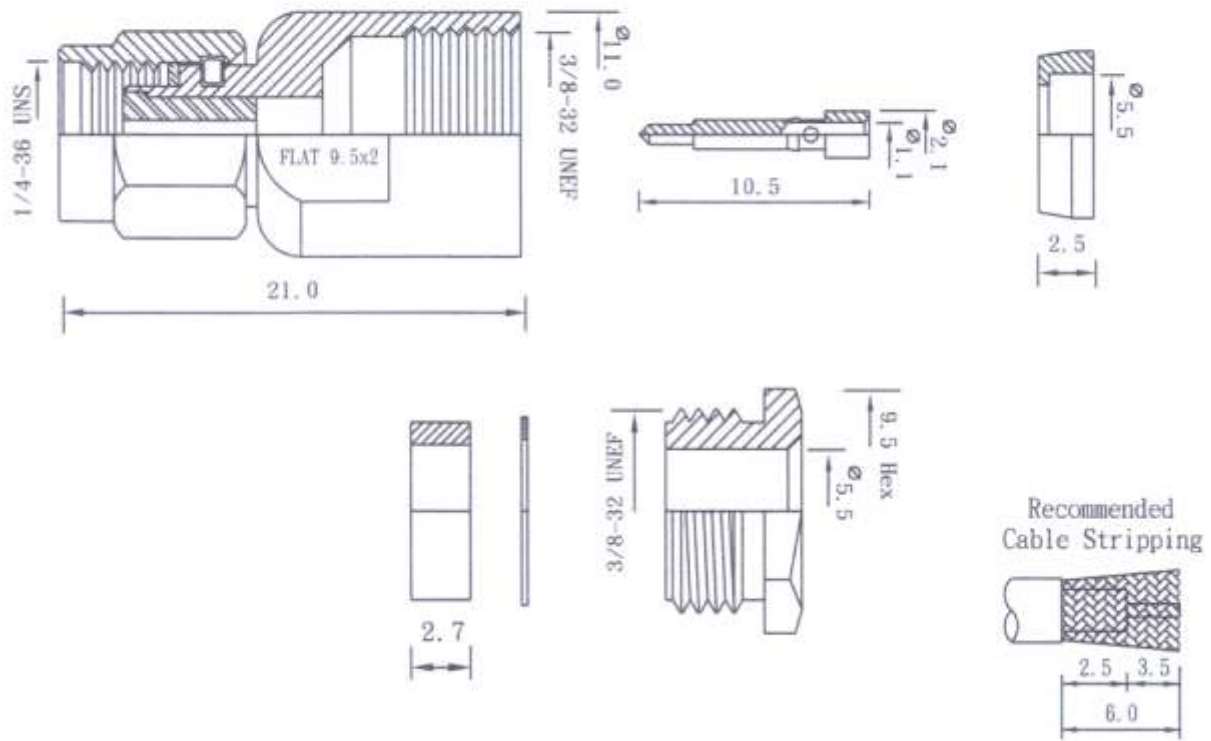


REVISIONS	
NO.	DESCRIPTION/DATE



6	Rubber	Silicon	Red
5	Braid Clamp	Brass	Nickel
4	Nut	Brass	Nickel
3	Insulator	Teflon	White
2	Contact	Brass	Gold
1	Body	Brass	Nickel
NO	Description	Material	Finish

CUSTOMER OUTLINE DRAWING
 Unless Otherwise Specified Tolerances
 Dimensions Are In Millimeters
 And For Customer Reference Only

0.5-0 \pm 0.2
 6-30 \pm 0.4
 30-120 \pm 0.6
 120-315 \pm 1.0

RoHS

All Connectors Design Right Protected

United AU-VI CO LTD

Part No: **V-7805A**

Title: SMA PLUG CLAMP FOR RG/58U CABLE T.G.N.

Date: Nov/16/2009

Scale: 3:1

Unit: M/M

Rev: A

RF/Microwave Connectors Professional Manufacturer