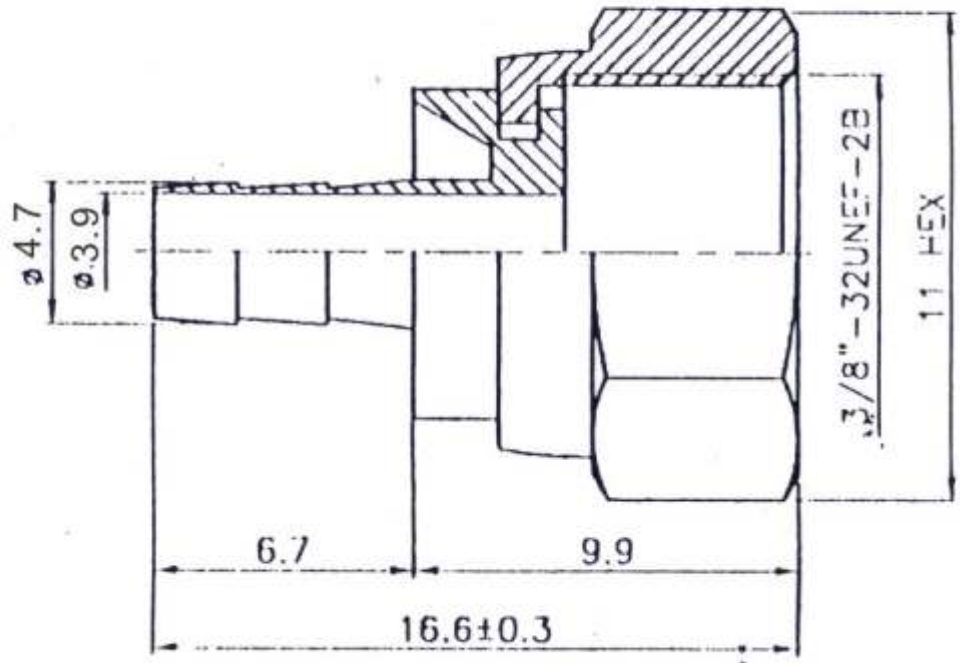
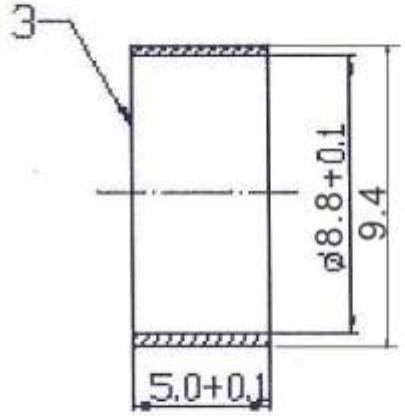


DIMENSIONS ARE IN MILLIMETERS

0.5-5 = +/- 0.2
 5-30 = +/- 0.4
 30-120 = +/- 0.6
 120-315 = +/- 1
 315-1000 = +/- 1.6
 1000-2000 = +/- 2.4



3	RING	1	BRASS	NICKEL
2	BODY	1	BRASS	NICKEL
1	SHELL	1	BRASS	NICKEL
No.	Description	Qty	Material	Finish

Approved by:



Date 2009.2.19

UNITED AU-VI CO., LTD.

Description: F MALE CRIMP RG59/U

Part No.: V-7204B

File No.:

ULTIMAX®
 THE ULTIMATE ELECTRONIC COMPONENTS