

DIMENSIONS ARE IN MILLIMETERS

0.5-5 = +/- 0.2

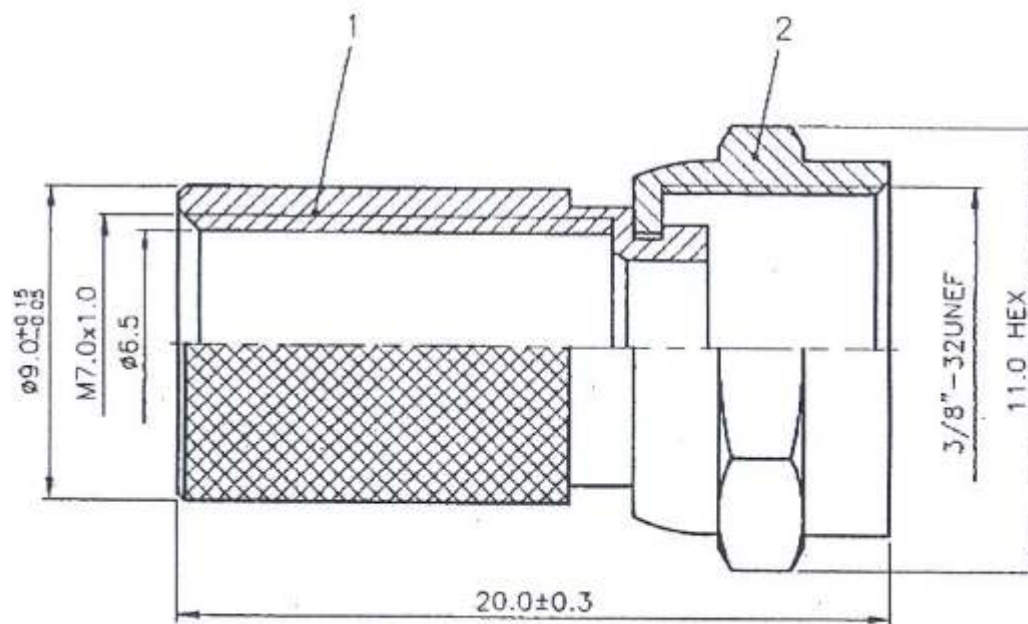
5-30 = +/- 0.4

30-120 = +/- 0.6

120-315 = +/- 1

315-1000 = +/- 1.6

1000-2000 = +/- 2.4



APPROVED BY :



UNITED AU-VI CO., LTD.

Description:

F MALE TWIST ON RG6/U

Part No.:

V-7210C/GZ



No.	DESCRIPTION	Qty	MATERIAL	FINISH	Part No.
2	SHELL	1	BRASS	NICKEL	
1	BODY	1	BRASS	NICKEL	

Date 2009.3.2

File No.: X2