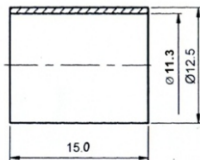
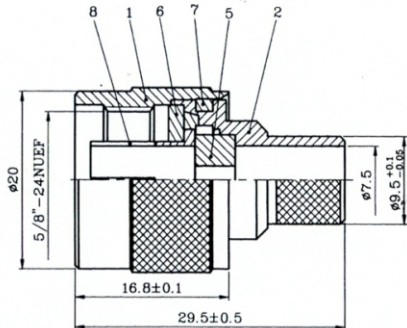
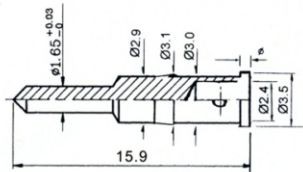


3



4



8	BODY	1	BRASS	NICKEL
7	WASHER	1	BRASS	NONE
6	GASKET	1	RUBBER	RED
5	INSULATOR	1	TEFLON	WHITE
4	RING	1	BRASS	NICKEL
3	PIN	1	BRASS	GOLD
2	BODY	1	BRASS	NICKEL
1	SHELL	1	BRASS	NICKEL

Approved by:

**UNITED AU-VI CO., LTD.**

Description:

N MALE CRIMP RG213/U TEFLON

Part No.:

V-7301E-T/CT

ULTIMAX[®]

THE ULTIMATE ELECTRONIC COMPONENTS

Date SEP 09 2013

File No.: C-7301-213 TEFLON

No. Description Qty Material Finish