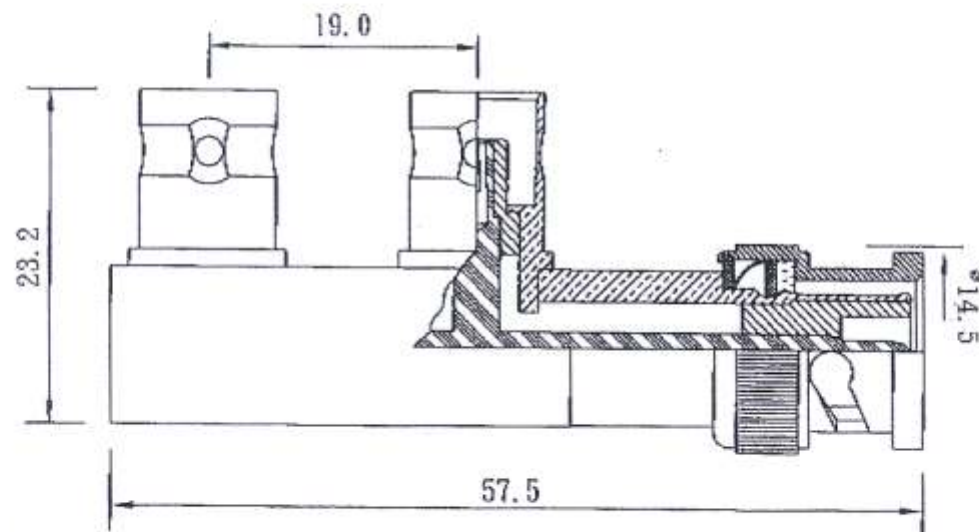


DIMENSIONS ARE IN MILLIMETERS

0.5-5 = +/- 0.2  
 5-30 = +/- 0.4  
 30-120 = +/- 0.6  
 120-315 = +/- 1  
 315-1000 = +/- 1.6  
 1000-2000 = +/- 2.4



Impedance	50 Ω
Frequency range	0 to 4GHz
Voltage rating	500 volts peak
Dielectric withstanding voltage	1500 volts rms
VSWR	M39012 straight connectors: 1.3 max. 0-4GHz M39012 right angle: 1.35 max 0-4GHz
Other (MIL-C-39012 Cable Connectors)	Contact resistance: center contact 1.5 milliohm outer contact 0.2 milliohm Insertion loss: 0.2db max at 3.0GHz Insulation resistance: 5000 megohms(rms)

APPROVED BY :

UNITED AU-VI CO., LTD.



Description: BNC MALE TO DOUBLE FEMALE "F" TYPE  
50OHM

Part No.:  
V-7089X

**ULTIMAX**®  
THE ULTIMATE ELECTRONIC COMPONENTS

Date: MAY. 1 1 2006

File No.: B-068

4	SHELL	1	BRASS	NICKEL
3	INSULATOR	1	DELTRIN	WHITE
2	CONTACT	1	BRASS	GOLD
1	BODY	1	BRASS	NICKEL
No.	DESCRIPTION	Qty	MATERIAL	FINISH