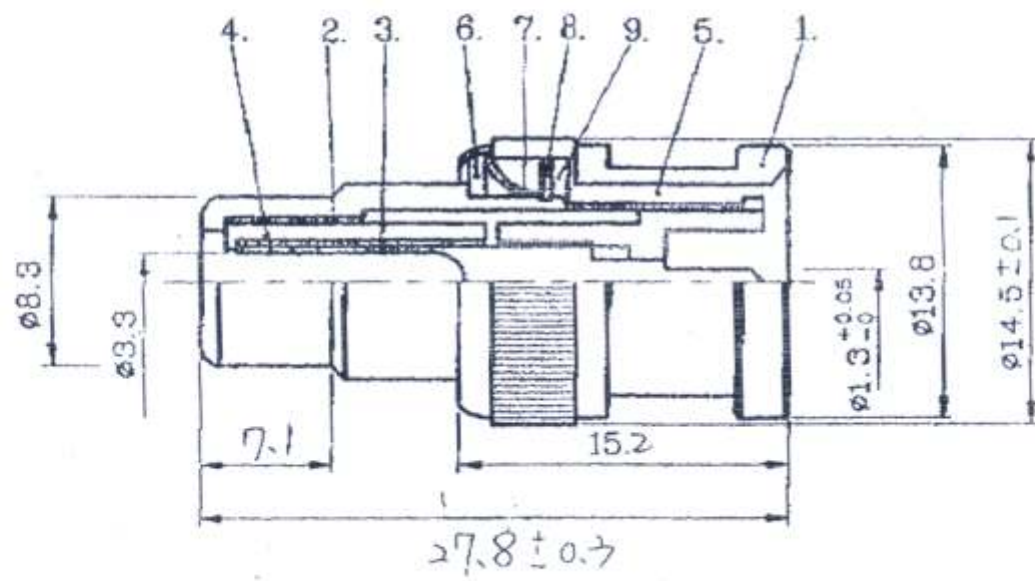


DIMENSIONS ARE IN MILLIMETERS

- 0.5-5 = +0.2
- 5-30 = +0.4
- 30-120 = +0.6
- 120-315 = +1
- 315-1000 = +1.6
- 1000-2000 = +2.4



9	GASKET	RUBBER	RED	1
8	WASHER	STEEL	NICKEL	1
7	SPRING	STEEL	NICKEL	1
6	WASHER	STEEL	NICKEL	1
5	INSULATOR	DELIN	WHITE	1
4	INSULATOR	DELIN	WHITE	1
3	PIN	BRASS	GOLD	1
2	BODY	ZINC	NICKEL	1
1	SHELL	ZINC	NICKEL	1

RoHS COMPLIANT

APPROVED BY :



UNITED AU-VI CO., LTD.

Description: BNC MALE TO RCA FEMALE , DIE CAST, GOLD PLATED
PIN

Part No.: V-7056GP-DC



NO.	DESCRIPTION	MATERIAL	FINISH	Q'TY	Date: MAR 02 2009
-----	-------------	----------	--------	------	-------------------

File No.: JL