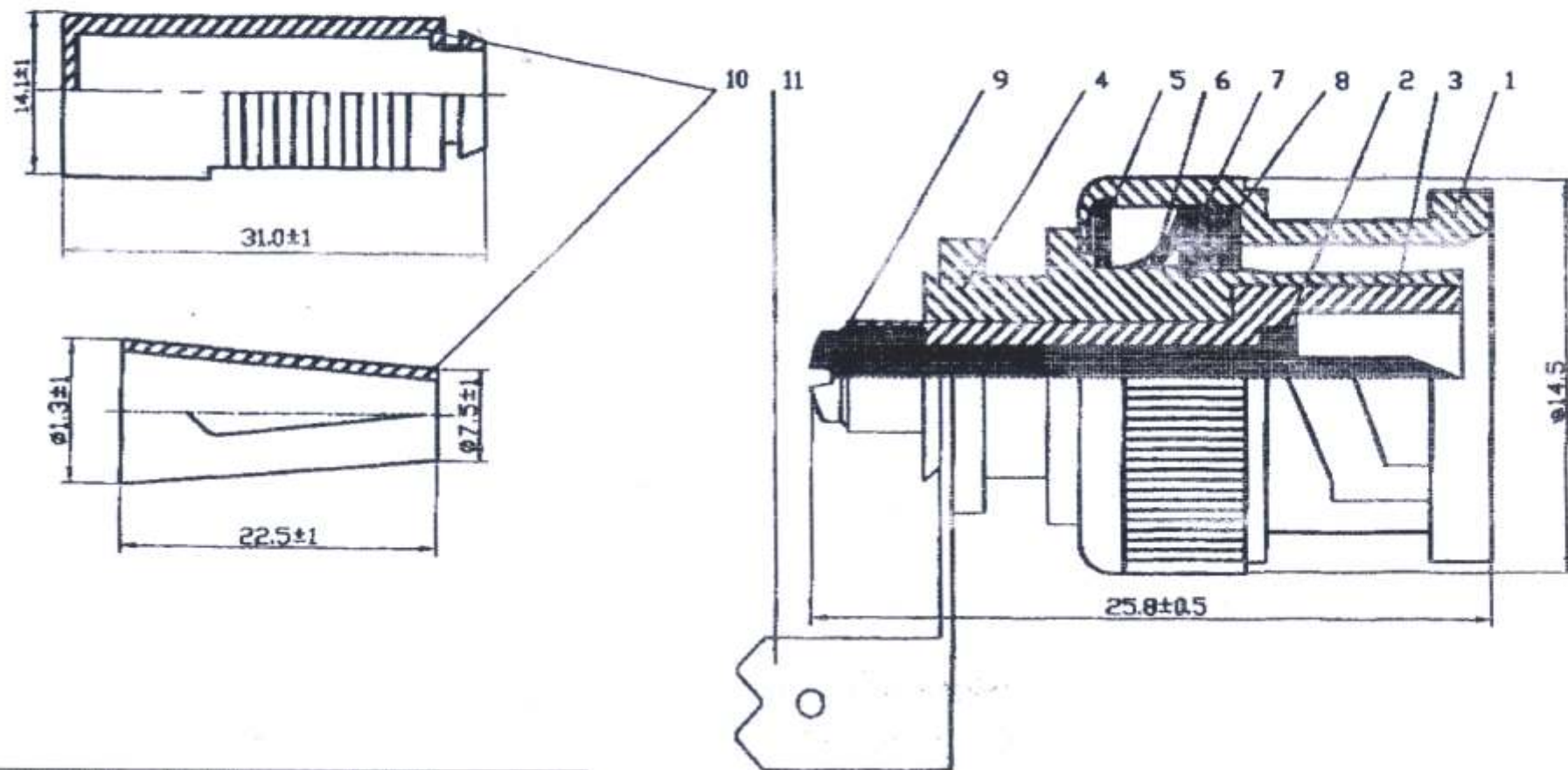


DIMENSIONS ARE IN MILLIMETERS

0.5-5 = +0.2
 5-30 = +0.4
 30-120 = +0.6
 120-315 = +1
 315-1000 = +1.6
 1000-2000 = +2.4



11	GROUND RING	BRASS	NICKEL	1
10	BOOT	PVC	BLACK	1
9	SCREW	STEEL	NICKEL	1
8	GASKET	PVC	RED	1
7	WASHER	STEEL	NICKEL	1
6	SPRING	SK-5	NICKEL	1
5	WASHER	STEEL	NICKEL	1
4	BODY	BRASS	NICKEL	1
3	INSULATOR	DELTRIN	WHITE	1
2	PIN	GOLD	NICKEL	1
1	SHELL	ZINC	NICKEL	1

RoHS COMPLIANT

APPROVED BY :



Date: MAR 02 2009

UNITED AU-VI CO., LTD.

Description:

BNC MALE R/A LONG

Part No.:

V-7101C-D



File No.: CF

NO.	DESCRIPTION	MATERIAL	FINISH	Q'TY
-----	-------------	----------	--------	------