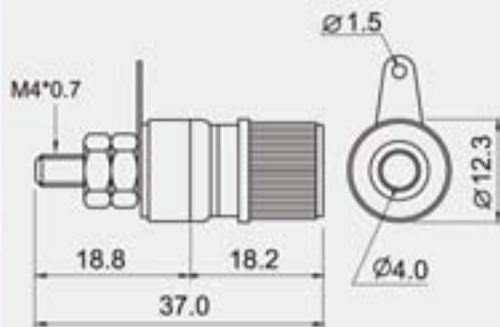


R1-1B



0.5~3.0mm

10A

DC500V 100M Ω

AC 1000V 1minute

-20°C~+80°C

FEATURES:

- Material:
Insulation: nylon(UL flame: 94V-2).
Metal: nickel plated brass.
- Binding post with $\varnothing 4.0\text{mm}$ (0.160") banana socket.

CUT-OUT

