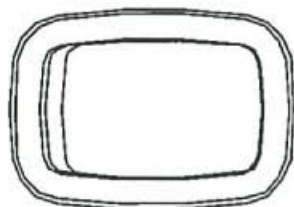
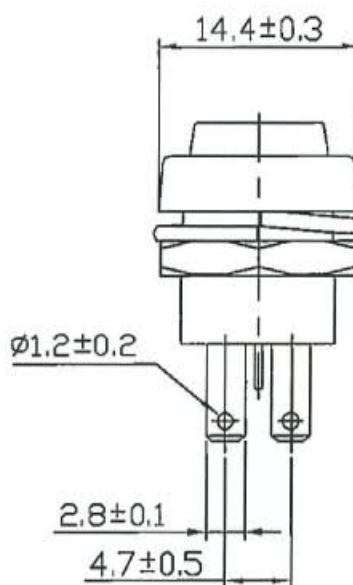
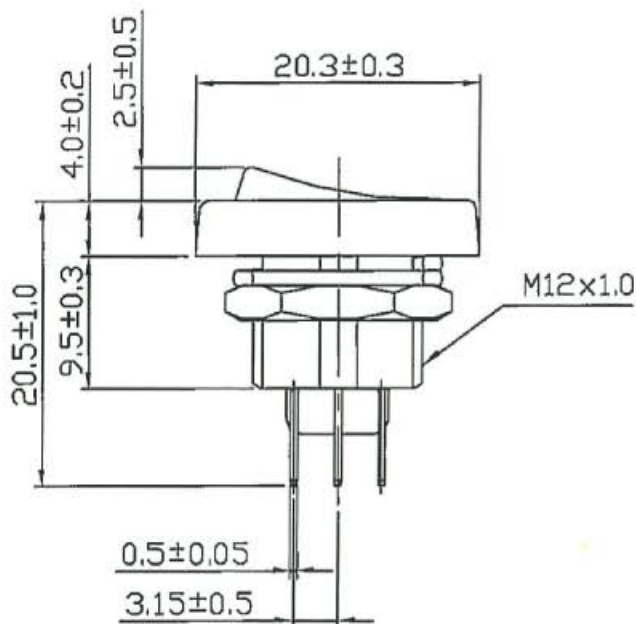


Rating	6A 125V, 3A 250V AC	Mounting Hole	Circuit Diagram
Contact Resistance	50m ohm Max.		
Insulation Resistance	DC 500V 100M ohm Min.		
Dielectric Strength	AC 1000V 1 minute		
Switch Function	6P DPDT ON-ON		



Material:  
 Frame: Black, Nylon#66  
 Actuator: Black, Nylon#66  
 Printed: None



C8\R13\R13-213B-03(1821068)

						△	
						△	
Date		Name		Description		NO	
Drawn	Checked	Approved		1821068	Model Name	ROCKER SWITCH	
曹盈芳	王佰山	李景煌	Customer No.		Model No.	R13-213B-03	REV.
09/28/'07	09/28/'07	09/28/'07	Unit	mm			0