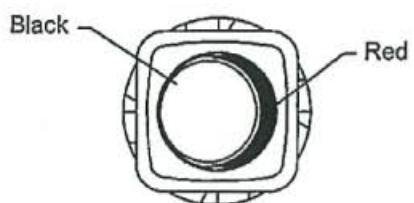
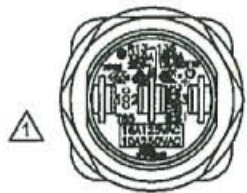
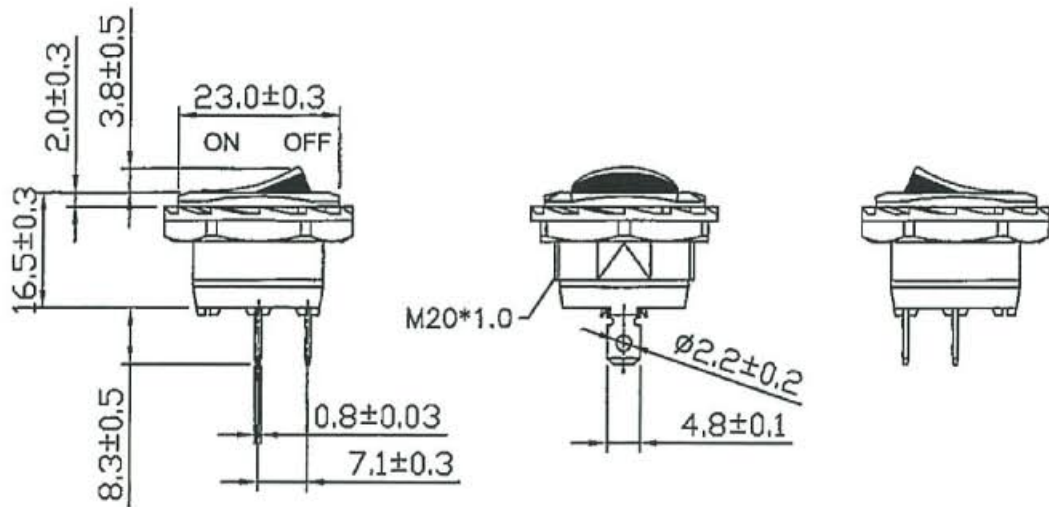


Rating	16A 125VAC, 10A 250VAC	CULUS	Mounting Hole	Circuit Diagram
	10A 125VAC, 6A 250VAC	CQC		
	10(4)A 250V~			
	16(4)A 125/250V~			
Contact Resistance	50m ohm Max.			
Insulation Resistance	DC 500V 100M ohm Min.			
Dielectric Strength	AC 1500V 1 minute			
Operation Temperature	-25°C~85°C			
Switch Function	2P SPST ON-OFF			



Material:
 Frame: Nylon#66+33%GF, Black
 Actuator: Nylon#66, Bi-color, Black/Red
 Printed: None



								△	
05/16/16	曹盈芳	依MCN#GRD2016084追加安規16(4)A 125/250V~ T85							△
01/15/10	歐陽安	Accord UL approval information to update drawing.							△
Date	Name	Description							NO
Drawn	Checked	Approved		1821314	Model Name	ROCKER SWITCH			
曹盈芳			Customer No.	7500074	Model No.	R13-135A2-02		Rev.	
05/16/16		5/17/16	Unit	mm				2	