

### NTL-FF323 | up to 727 m³/h



- New air-flap outlet technology for high airflow
- Easy mounting
- Protection type test/Environmental rating by independent testing institutes
- Standard enclosure cut-out sizes (5 sizes)
- One filter mat

Fan filters are used to provide an optimum climate in enclosures and cabinets with electrical/electronic components. The interior temperature of an enclosure can be reduced by channelling cooler filtered outside air into the enclosure thus expelling heated internal air. The resulting airflow prevents formation of localised hot pockets in installations and protects electronic components from overheating.

The Fan filter series uses a new air-flap outlet technology for the air outlet and thus reaches a high degree of airflow. A ratchet mechanism is used for mounting and provides high stability and tightness. The system is a standard installation with a filter fan in the lower part of the enclosure which ensures that fresh air is fed into the enclosure (airflow direction "In"). This system consists of a filter fan and exit filter.

CE RoHS ISO9001 Patent

### Technical Data

#### NTL-FF323

Axial fan, ball bearing	service life L10 at +40°C (+104°F): min. 56,000h rotor metal
Connection	3-pole clamp for 2.5mm², clamping torque 0.8Nm max.
Casing, hood, flaps	plastic according to RoHS
Enclosure cut-out	291 x 291 <sup>+1</sup> mm
Mounting frame	4 built-in ratchet braces for mounting (6 notches for wall thickness 1-4mm). Additional use of screws possible if needed <sup>1</sup> .
Filter mat	G4 acc. to DIN EN 779, filtering degree 94%
Filter material	synthetic fibre with progressive construction, temperature resistant to +100°C, self-extinguishing class F1, moisture resistant to 100% RH, reusable
Operating temperature	50 Hz: -25 to +55°C (-13 to +131°F) 60 Hz: -25 to +35°C (-13 to +95°F)
Storage temperature	-40 to +70°C (-40 to +158°F)
Operating/Storage humidity	max. 75% RH (non-condensing)
Protection type/Protection class	IP55 / I (earthed)
Note	other voltages on request

<sup>1</sup> Drilling marks for screw mounting are indicated on mounting frame.

### Airflow Direction "In": Fan Filter NTL-FF323

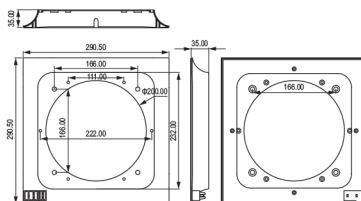
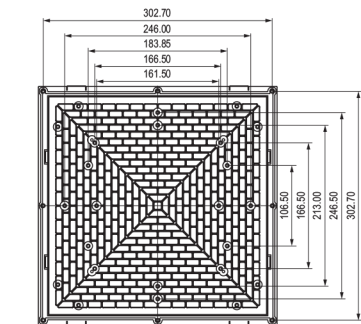
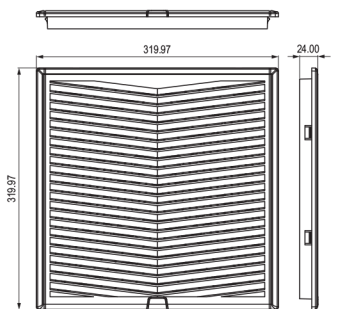
Art. No.	Operating voltage	Air volume, free flow	Air volume with exit filter	Power consumption
860216	AC 230V, 50/60Hz	433m³/h	373m³/h	95W
860217	AC 110V, 50/60Hz	394m³/h	339m³/h	90W

### Airflow Direction "In": Exit Filter NTL-F323

Art. No.	Operating voltage	Air outlet	Depth in enclosure
860218	-	air-flap outlet technology	24mm

### Etra Air shroud can match with NTL-FF323

Art. No.	Function
861003	Protect from Air leakage, offer wind gathering, can be suitable for different sizes of fan installation



861003