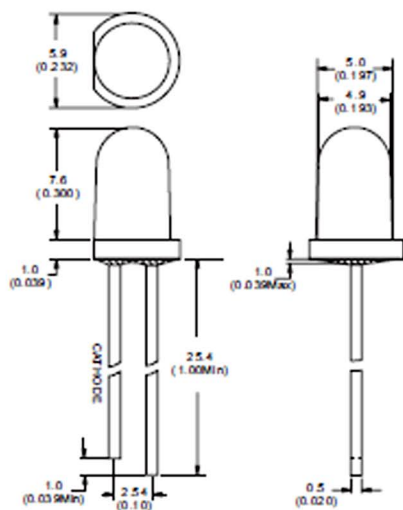


## STANDARD LED LAMPS

Package	Part No. FYL-	Chip		Lens Appearance	Absolute Maximum Ratings				Electro-optical Data(At 20mA)			Viewing Angle 2 $\theta$ 1/2 (deg)	Drawing No.
		Material/Emitted Color	Peak Wave Length $\lambda_p$ (nm)		$\Delta \lambda$ (nm)	Pd (mw)	If (mA)	Peak (mA)	Vf(V)		Iv (mcd)		
									Typ	Max	Typ		
T-1 3/4 Standard 1.0" Lead $\phi 5$	5013HD	GaP/GaP Red	700	Red diffused	90	40	15	50	2.25	2.60	5	60	L-005
	5013GD	GaP/GaP Green	570	Green diffused	30	80	30	150	2.20	2.50	20	60	
	5013ED	GaAsP/GaP Orange	635	Red diffused	35	80	30	150	2.10	2.50	30	60	
	5013ED-E	GaAsP/GaP Orange	635	Orange diffused	35	80	30	150	2.10	2.50	30	60	
	5013YD	GaAsP/GaP Yellow	585	Yellow diffused	35	80	30	150	2.10	2.50	20	60	
	5013GT	GaP/GaP Green	570	Green trans	30	80	30	150	2.20	2.50	50	30	
	5013ET	GaAsP/GaP Orange	635	Red trans	35	80	30	150	2.10	2.50	80	30	
	5013ET-E	GaAsP/GaP Orange	635	Orange trans	35	80	30	150	2.10	2.50	80	30	
	5013YT	GaAsP/GaP Yellow	585	Yellow trans	35	80	30	150	2.10	2.50	50	30	
Round 1.0" Lead $\phi 8$	8003GD	GaP/GaP Green	570	Green diffused	30	80	30	150	2.20	2.50	30	60	L-006
	8003ED	GaAsP/GaP Orange	635	Red diffused	35	80	30	150	2.10	2.50	40	60	
	8003ED-E	GaAsP/GaP Orange	635	Orange diffused	35	80	30	150	2.10	2.50	40	60	
	8003YD	GaAsP/GaP Yellow	585	Yellow diffused	35	80	30	150	2.10	2.50	30	60	
	8003GT	GaP/GaP Green	570	Green trans	30	80	30	150	2.20	2.50	60	40	
	8003ET	GaAsP/GaP Orange	635	Red trans	35	80	30	150	2.10	2.50	90	40	
	8003ET-E	GaAsP/GaP Orange	635	Orange trans	35	80	30	150	2.10	2.50	90	40	
	8003YT	GaAsP/GaP Yellow	585	Yellow trans	35	80	30	150	2.10	2.50	60	40	

L-005

FYL-5013xx Series



L-006

FYL-8003xx Series

