

Zertifikat

Certificate



Zertifikat Nr. *Certificate No.*
S 50267251

Blatt *Page*
0001

Ihr Zeichen *Client Reference*
C.Y.H.

Unser Zeichen *Our Reference*
01-HJO- 15026518 003

Längstens gültig bis *Latest expiration date*
30.10.2018 (day/mo/yr)

Genehmigungsinhaber *License Holder*

Zhejiang Kangtai Electric Co., Ltd.
No.5 Kangtai Road
Huanghua Industrial District
Yueqing, Zhejiang 325605
P.R. China

Fertigungsstätte *Manufacturing Plant*

Zhejiang Kangtai Electric Co., Ltd.
No.5 Kangtai Road
Huanghua Industrial District
Yueqing, Zhejiang 325605
P.R. China

Prüfzeichen *Test Mark*



Geprüft nach *Tested acc. to*

DIN VDE 0620-1/02.10
EN 61058-1:2002+A2
ZEK 01.4-08/11.11

www.tuv.com
ID 100000000

Zertifiziertes Produkt *(Geräteidentifikation)*
Certified Product (Product Identification)

Lizenzentgelte - Einheit
License Fee - Unit

Dimmer (Dimmer)

Bezeichnung (Type Designation)	: 1620	6899F	6
Nennspannung (Rated Voltage)	: AC 230V;	50/60Hz	
Nennstrom (Rated Current)	: 1,2A		
Nennleistung (Rated Power)	: 275W		
Schutzklasse (Protection Class)	: I		
Verwendungstemperatur (Max. Ambient Temperature)	: bis 35°C	(up to 35°C)	

6

ANLAGE (Appendix): 1.0

Dem Zertifikat liegt unsere Prüf- und Zertifizierungsordnung zugrunde.
Produkt und Fertigungsstätte erfüllen § 20 und § 21 des
Produktsicherheitsgesetzes.

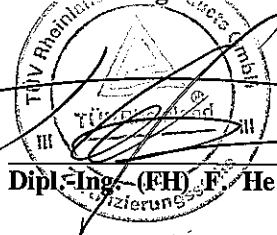
*This certificate is based on our Testing and Certification Regulation.
Product and production fulfill par § 20 and § 21 of the
Product Safety Law.*

TÜV Rheinland LGA Products GmbH - Tillystraße 2 - 90431 Nürnberg

Tel.: (+49/221)8 06 - 13 71 e-mail: cert-validity@de.tuv.com

Fax: (+49/221)8 06 - 39 35 http://www.tuv.com/safety

Zertifizierungsstelle



Dipl.-Ing. (FH) F. He

Ausstellungsdatum *Date of Issue* : 31.10.2013 (day/mo/yr)

Zhejiang Kangtai Electric Co., Ltd.
No.5 Kangtai Road
Mr. Chen Yaohua

Date : 31.10.2013
Our ref. : HJO 01
Your ref.: C.Y.H.

Huanghua Industrial District
Yueqing, Zhejiang 325605
P.R. China

Ref : S GS-Mark Approval

Type of Equipment : Dimmer
Model Designation : See Certificate
Certificate No. : S 50267251 0001
Report No. : 15026518 003

Dear Mr. Chen Yaohua,

A specimen of above mentioned product has been tested and found to be technically in compliance with § 20 and § 21 of the ProdSG (= Product Safety Act).

The certificate is issued with the reservation that the licence holder applies all information required in § 6 of the ProdSG related to name and address of the manufacturer or his authorized representative / importer including their respective addresses on the product prior to marketing the product in the European Economic Area. Enclosed please find the certificate of approval No. S 50267251 0001.

If cancellation of the certificate is submitted by November 15 in a given year, no fee will be charged for the following year.

Please contact our office for approval of your new products.

With kind regards,

Certification Body


Dipl.-Ing. (FH) F. He

CC: Zhejiang Kangtai Electric Co., Ltd.

Enclosure

证书的详细资料请登陆www.tuvdotcom.com查阅,或拨打我司客服热线800 999 3668 / 400 883 1300咨询

Certificate No. S 50267251

0001

Our Reference 01-HJO-15026518 003

Appendix No. 1.0

Constructional Data Form (CDF) for Plug and Socket-outlets

Page 1 of 2

1.1 Licence Holder: Zhejiang Kangtai Electric Co., Ltd.
No. 5 Kangtai Road, Huanghua Industrial District, Yueqing, Zhejiang 325605, P.R. China

1.2 Factory: Zhejiang Kangtai Electric Co., Ltd.
No. 5 Kangtai Road, Huanghua Industrial District, Yueqing, Zhejiang 325605, P.R. China

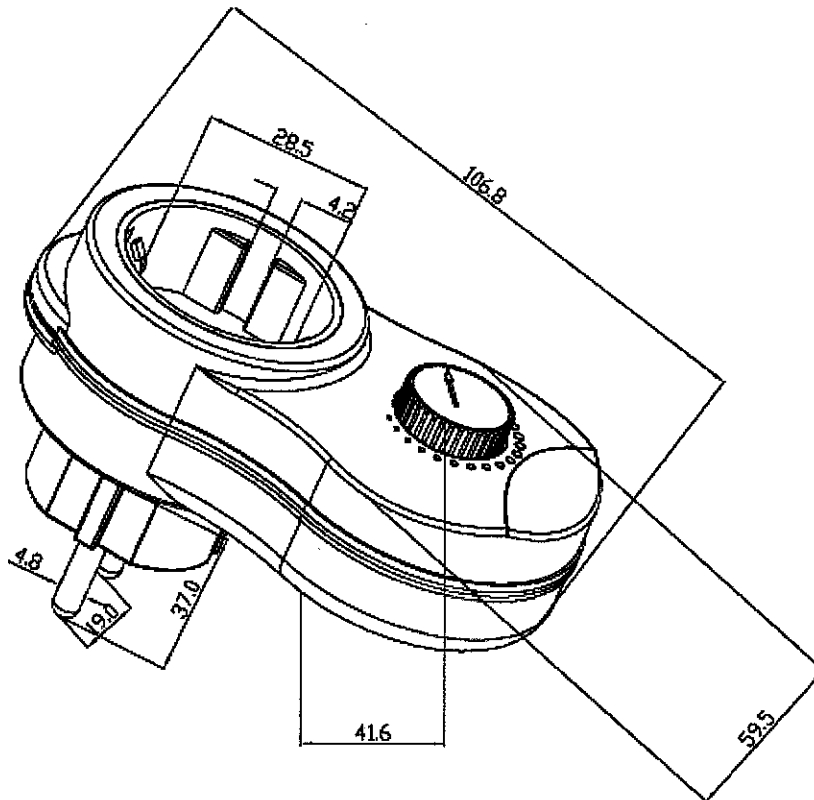
1.3 Kind of Equipment: Dimmer

1.4 Type Designation: 1620; 6899F

1.5 Mark of Origin:



2.1 Dimensions



2.2 Material:

1. Enclosure and knob : fire-resistant material ABS (in colour of white)
Ningbo Falaixin Plastic Co., Ltd.
2. Shutter, enclosure of shutter and body of socket and plug: fire-resistant material PC
(in colour of white)
GE Plastic
3. Conductor spring strip: Bronze QSn6.5-0.1 (copper content 93%, δ 0.6mm)
Anhui Xinke New Material Co., Ltd.
4. PE-contact and connecting bar between pin and internal wire: Bronze QSn6.5-0.1
(copper content 93%, δ 0,8mm)
Anhui Xinke New Material Co., Ltd.
5. Pin: Brass HPb59-1 (copper content :57,5%)
Nanxianglin Instrument & Lathe Factory

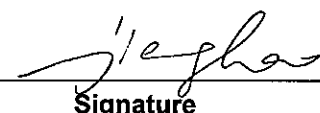
TÜV Rheinland Group

12. 10. 2013

Jiang Hao

Date

Name



Signature

Certificate No. S 50267251 0001 Our Reference 01-HJO-15026518 003 Appendix No. 1.0

Constructional Data Form (CDF) for Plug and Socket-outlets

Page 2 of 2

- 6. Print circuit board: Glass fiber resin
Guangzhou Jinpeng Electronic Co., Ltd.
- 7. Spring in shutter: carbon steel
Yueqing Chuntian Spring Co., Ltd.

2.3 Other technical Information: Rated Voltage: AC 230V
Rated Current: 1,2A
Rated Power: 275W

2.4 Information/Rated values for the switching element: Frequency: 50/60Hz
Ambient temperature limits: T35
Number of operating cycles: 6 000
Disconnection: Electronic
Application level for resistance to heat and fire:3
Rated impulse withstand voltage:2500V
Overvoltage Category: II

2.4 Parts:

- 1. Fuse
 - Type : TSC
 - Manufacture : Walter Electronic Co., Ltd.
 - Rating : AC 250V; 1,25A
 - Approval : VDE
- 2. Capacitor
 - Type : CIS
 - Manufacture : Changzhou Changjie Technology Co., Ltd.
 - Rating : 0.33uF; 275VAC; X2
 - Approval : VDE
 - Type : MPX
 - Manufacture : Dain Electronic Co., Ltd.
 - Rating : 0.33uF; 275VAC; X2
 - Approval : VDE
 - Type : MKP
 - Manufacture : Jimson Electronics (Xiamen) Co., Ltd.
 - Rating : 0.33uF; 275VAC; X2
 - Approval : VDE
- 3. Internal wire:
 - Type : 1015,16AWG (1,31mm²) and 20AWG(0,52mm²), 105 °C
 - Manufacture : JIAXING YONGDA ELECTRIC CO LTD
YUEQING SANSHAN ELECTRONICS WIRE & CABLE CO LTD
YUEQING BOYUAN ELECTRONIC WIRE & CABLE CO LTD
 - Approval : UL

